

Vibratory Trench Rollers

RTLx-SC3 RTKx-SC3
RTL82-SC3 RTK82-SC3

RT

Smart trench rollers for tough compaction applications

»» Wacker Neuson's articulated trench rollers feature a dual joystick control box for easy steering. This smart remote control system uses an infrared signal with line-of-sight control for added safety. If the operator comes within three feet (one meter) of the roller's front or rear sensing eye with the control box, the unit will stop moving and vibrating. A smart machine for any job site. ««



ADDITIONAL ADVANTAGES:

- **Patented 3 receiving eye design** eliminates signal loss from trench shoring while retaining the line-of-sight requirement to control the roller.
- **RTx model offers** extendable drums that allows for convenient conversion from 32 to 22 inches. Central mounting system protects bolts from exposure to damage during operation.
- **Maintenance-free/lubrication oil-free** lower end including drum drive and exciters.
- **Below the axle exciter in each drum** allows for more efficient transfer of compaction energy to the soil for superior compaction results.
- **The transparent Engine Control Module (ECM) with diagnostic LEDs** monitors machine functions such as oil pressure, engine temperature, glow plug, battery, tip over and air cleaner capacity for easy operation and troubleshooting.
- **With 16-channel transmission** multiple rollers can be operated on the same job site without interference from one another.



**WACKER
NEUSON**

Technical Data		RTLx-SC3	RTL82-SC3	RTKx-SC3	RTK82-SC3
Operating weight	lb (kg)	3295 (1495)	3197 (1450)	3235 (1467)	3134 (1422)
Drum diameter	in (mm)	20.5 (520)	20.5 (520)	20.5 (520)	20.5 (520)
Drum width	in (mm)	22 / 32 (560 / 820)	32 (820)	22 / 32 (560 / 820)	32 (820)
Overall size (l x w x h)	in (mm)	73 x 22 x 50 (1855 x 560 x 1270)	73 x 32.1 x 50 (1855 x 820 x 1270)	73 x 32 x 50 (1855 x 820 x 1270)	73 x 32 x 50 (1855 x 820 x 1270)
Shipping weight	lb (kg)	3532 (1602)	3340 (1515)	3408 (1546)	3263 (1480)
Shipping size (l x w x h)	in (mm)	89 x 35.1 x 56 (2261 x 892 x 1420)	89 x 35 x 56 (2260 x 892 x 1420)	89 x 35 x 56 (2260 x 890 x 1420)	89 x 35 x 56 (2260 x 890 x 1420)
Engine type		liquid cooled, 4-cycle, 3-cylinder, diesel engine with electric start			
		Kohler	Kohler	Kubota	Kubota
Displacement	in ³ (cm ³)	62.7 (1028)	62.7 (1028)	54.8 (898)	54.8 (898)
Max. rated power (per DIN-ISO 3046) at	hp (kW) rpm	19.8 (14.8) 3000	19.8 (14.8) 3000	20.7 (15.5) 3000	20.7 (15.5) 3000
Operating speed	rpm	3000	3000	3000	3000
Fuel consumption	gal (l)/h	1.2 (4.5)	1.2 (4.5)	1.2 (4.5)	1.2 (4.5)
Fuel tank capacity	gal (l)	6.3 (24)	6.3 (24)	6.3 (24)	6.3 (24)
Vibration frequency	vpm (Hz)	2500 (41.7)	2500 (41.7)	2500 (41.7)	2500 (41.7)
Dynamic (centrifugal) force total	lb (kN)	15,400 / 7700 (68.4 / 34.2)	15,400 / 7700 (68.4 / 34.2)	15,400 / 7700 (68.4 / 34.2)	15,400 / 7700 (68.4 / 34.2)
Static linear force per drum	lb/in (N/mm)	57.7 (10.1)	55.4 (9.7)	55 (9.6)	52.6 (9.2)
Dynamic linear force per drum (max.)	lb/in (N/mm)	258 (45)	258 (45)	258 (45)	258 (45)
Low speed	ft (m)/min	66 (22)	66 (22)	66 (22)	66 (22)
High speed - forward only	ft (m)/min	131 (40)	131 (40)	132 (42)	132 (42)
Compacted area	ft ² (m ²)/h	10,654 (990)	10,654 (990)	10,654 (990)	10,654 (990)
Gradeability	%	50	50	50	50
Turning radius - inside	in (m)	63 (1.6)	63 (1.6)	63 (1.6)	63 (1.6)

Standard Package

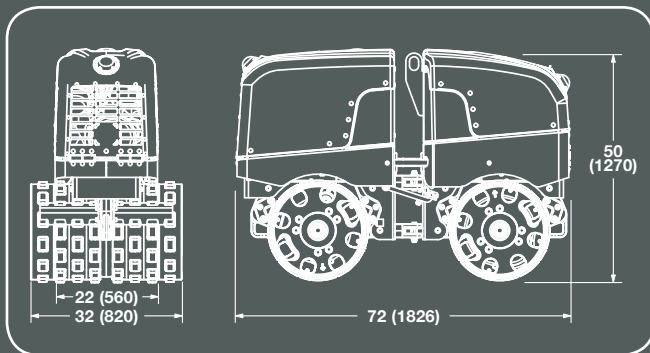
Vibratory Trench Rollers
 RTLx-SC3 RTKx-SC3
 RTL82-SC3 RTK82-SC3

includes basic tool kit,
 starting crank, operator's
 manual and parts book.

Model Guide

RT = Trench roller
 L = Kohler engine, K = Kubota engine
 x = extendable drums
 82 = Drum width in centimeters
 SC = Smart control, 3 = Series

Please refer to our Price List and Ordering Guide for complete accessory information.



Specifications may change due to continuous product development. Users are advised to consult Wacker Neuson's Operator's Manual and website for specific information regarding the engine power rating. Actual power output may vary due to conditions of specific use.

